



This multi-purpose spotlight is not much larger than an AX3 but features all our latest technological achievements such as Titan LED Engine, CRMX & wired DMX via PowerBox and direct App control without ART7. Each of its 4 sides includes an airline track and a nifty rail to slide-in mounting accessories which allows a quick connection of several PixelBricks to form clusters and geometrical shapes.

## SPECIFICATIONS



Max 20h



Wireless DMX



IP65



App

Order Code	PB15
LED Engine	Titan LED Engine
Colors	RGBMintAmber
Total LED Power	15W
Power Draw	12W
Light output - 2700k, 3200k,5500k*	388lm, 450lm, 375lm
CRI(Ra)/TLCI 3200-6500k*	≥96
Beam Angle	13°
Strobe	0 - 25Hz
Pixels	1
Battery Lifetime	70 % after 300 cycles
Battery Runtime	up to 20 hours**
Charging Time (nominal)	4 hrs
Input Voltage	24VDC
Input Current	0.8A
Wired DMX	Yes (via PWB-2-86)
CRMX Receiver	Built in
Wireless Frequencies	CRMX 2.4GHz, UHF, Bluetooth
Range (m/yds)	300 / 330yds
Housing	Aluminium
IP Rating	IP65
Ambient Temperature (°C/°F)	0° - 40° / 32° - 104°
Weight (kg/lbs)	1.12 / 2.47
Dimensions (mm/inches)	91 x 91 x 94 / 3.6 x 3.6 x 3.7

\*Typical value \*\*6h with MAX brightness

## RF CHARACTERISTICS

Wireless Modules	EU: UHF (863-870MHz)	USA: UHF (917-922.20MHz)	AUS: UHF (922.30-927.50MHz)	SGP: UHF (920.50-924.50MHz)
Modulation	FHSS	FHSS	FHSS	FHSS
ERP (Transmitter)	<25mW	<25mW	<25mW	<25mW
Channel Count	47	53	53	41

Wireless Modules	KOR: UHF (917.9-921.5MHz)	RUS: UHF (868.75-869.12MHz)	JPN: UHF (922.80-926.40MHz)	CRMX (2402-2480MHz)	Bluetooth 5.0 LE (2402-2480MHz)
Modulation	FHSS	FHSS	FHSS	FHSS	FHSS
ERP (Transmitter)	<25mW	<25mW	<25mW	-	10mW (BLE)
Channel Count	10	6	19	79	40

## Bluetooth and PixelBrick as a transmitter

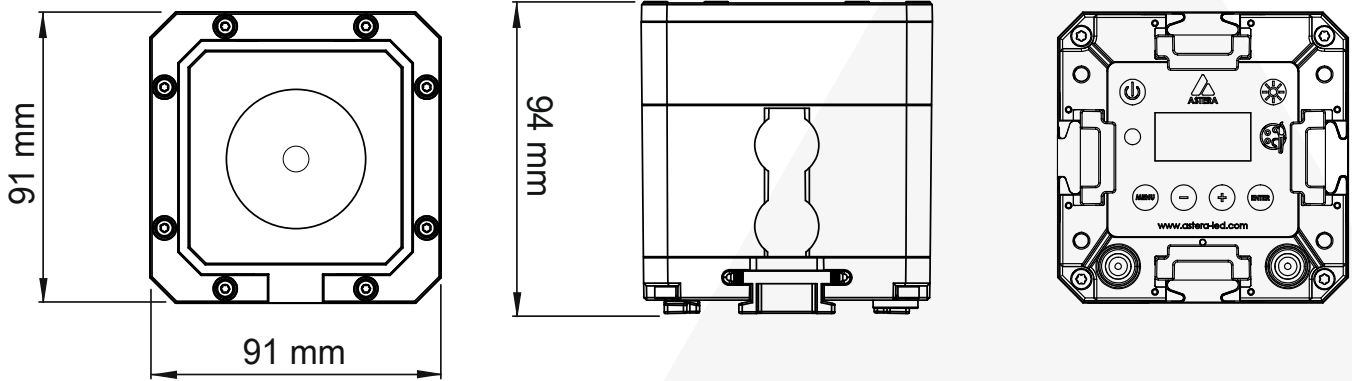
Connect directly to a PixelBrick via Bluetooth. This master light will revert AsteraApp commands to all other NYX Bulbs and other Astera lights via UHF band.

### Limited Range

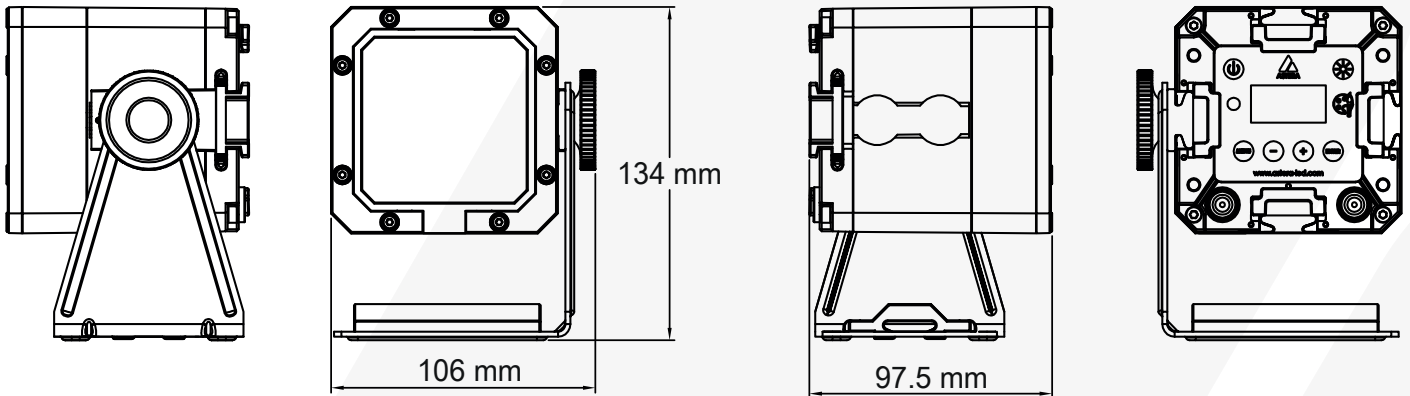
This feature is useful for smaller set ups and installations. For bigger range use the AsteraBox.



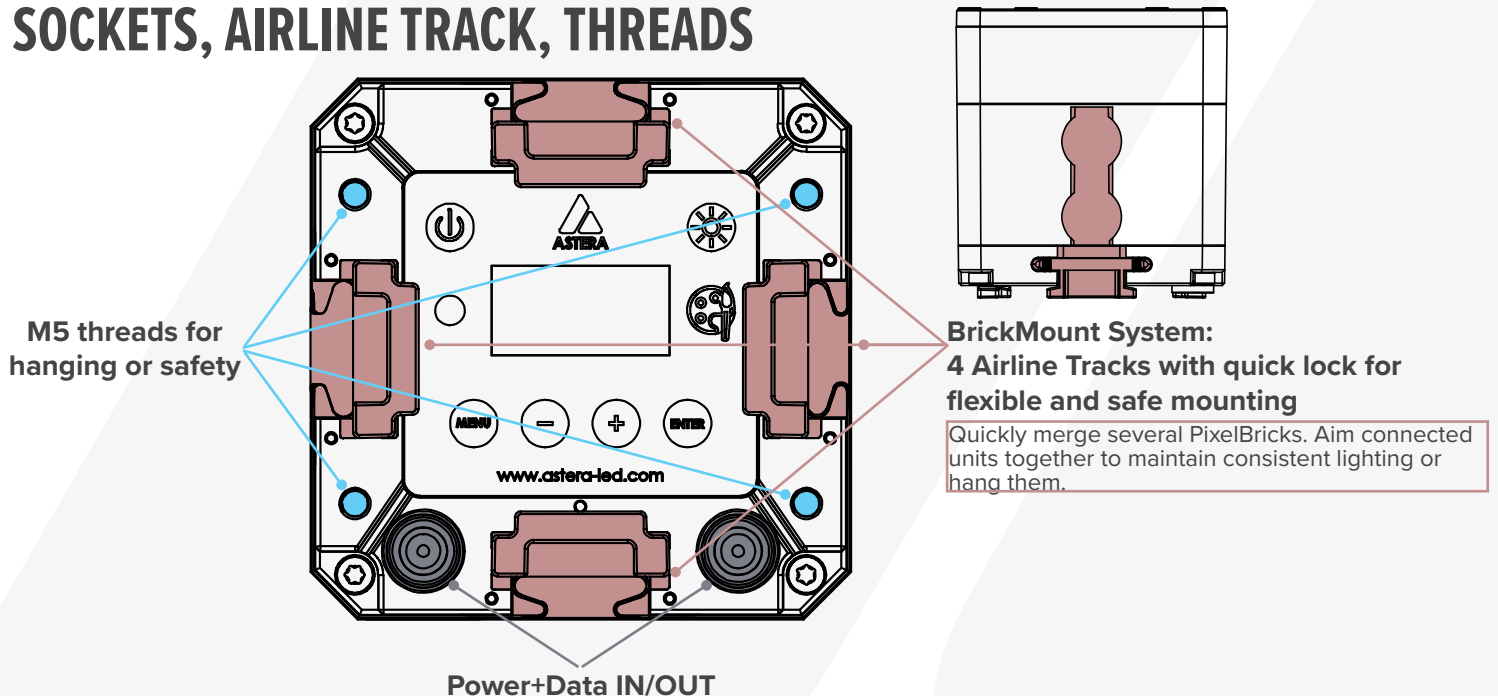
## DRAWINGS WITHOUT BRACKET



## WITH BRACKET



## SOCKETS, AIRLINE TRACK, THREADS



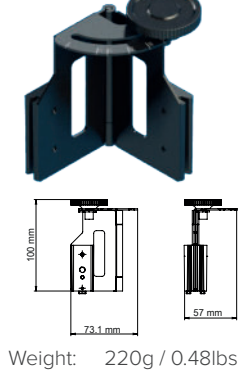
# ACCESSORIES

## BrickBracket PB15-BBR



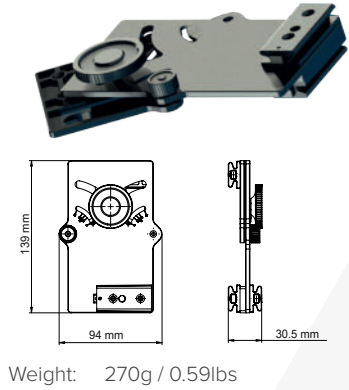
Weight (1pc): 270g / 5.59lbs

## BrickHinge PB15-BHI



Weight: 220g / 0.48lbs

## BrickTilt PB15-BTLT



Weight: 270g / 0.59lbs

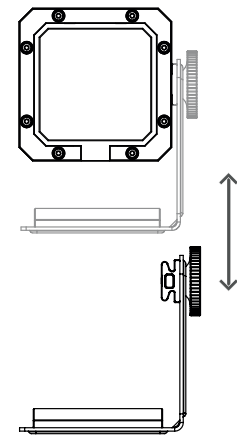
## BrickConnect PB15-BCN



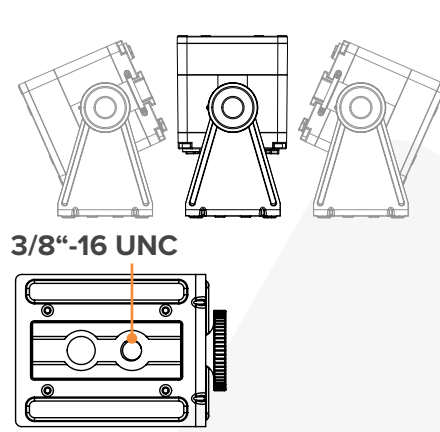
Weight (1pc): 27g / 0.059lbs

# FEATURES

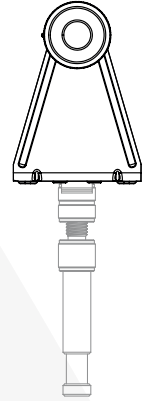
## Removeable



## Tiltable



## AirlineTrack on bottom for mounting

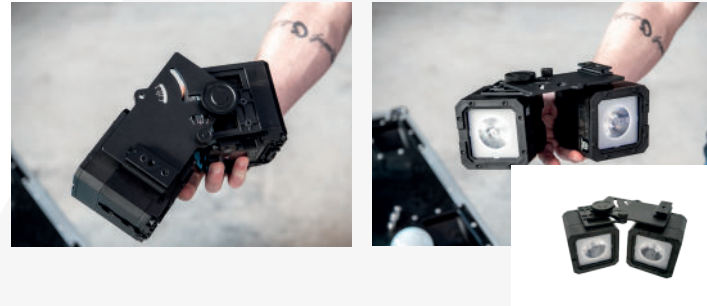


## BrickHinge on PixelBrick to create several shapes



## BrickTilt on PixelBrick

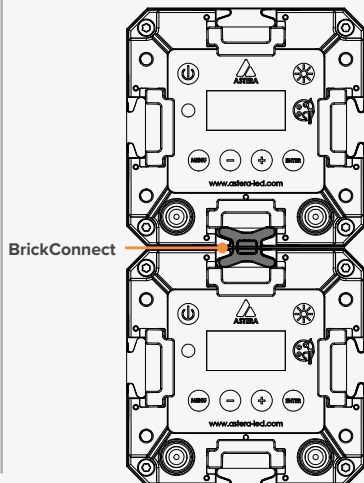
## Tilt the angle of the PixelBrick outward or inward



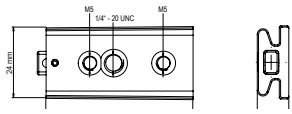
## Build creative shapes



## Connect your PixelBricks to several shapes

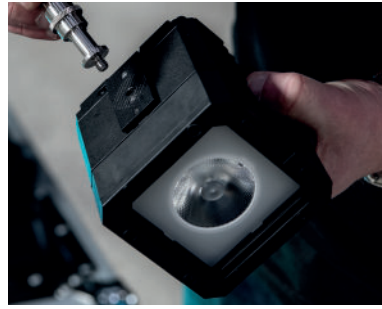


**BrickMount**  
PB15-BMO

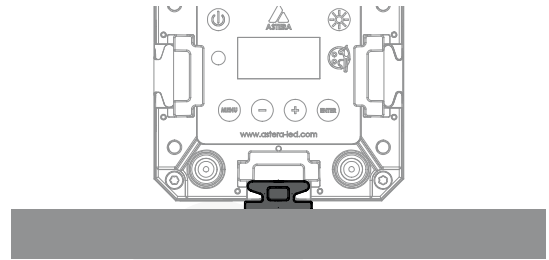


Weight (1pc): 25g / 0.55 lbs

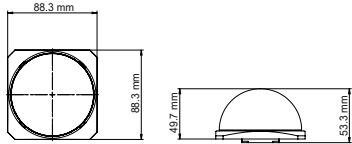
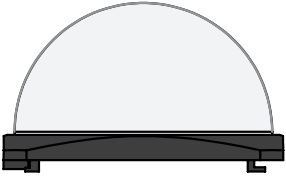
**BrickMount on PixelBrick**



**Mounted on plate**



**BrickDome**  
PB15-BDM



**BrickDome on PixelBrick**



**Filters**



included



included

**FloodFilter 30°**  
PB15-FF

**BeamSoftener 17°**  
PB15-BSO

**ChargingCase**  
PB15-CHRCSE



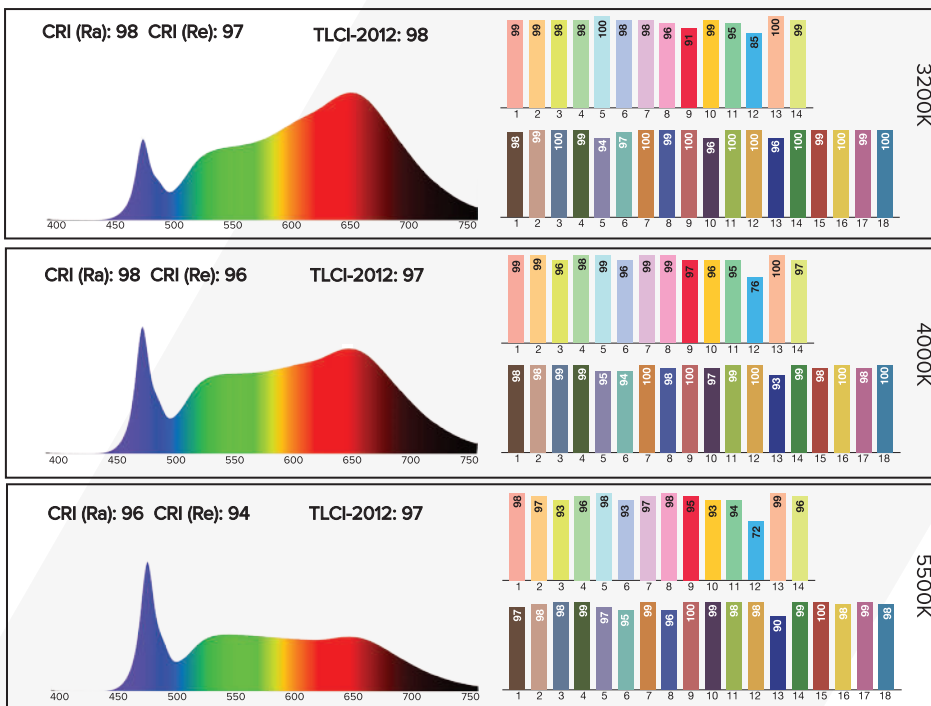
Weight (empty ): 6.8kg / 15lbs  
Weight (full): 16.3kg / 36lbs

**AccessoryCase**  
PB15-ACCSE



Weight (empty ): 7kg / 15.4lbs  
Weight (full): 13.3kg / 29.3lbs

**TYPICAL SPECTRAS**



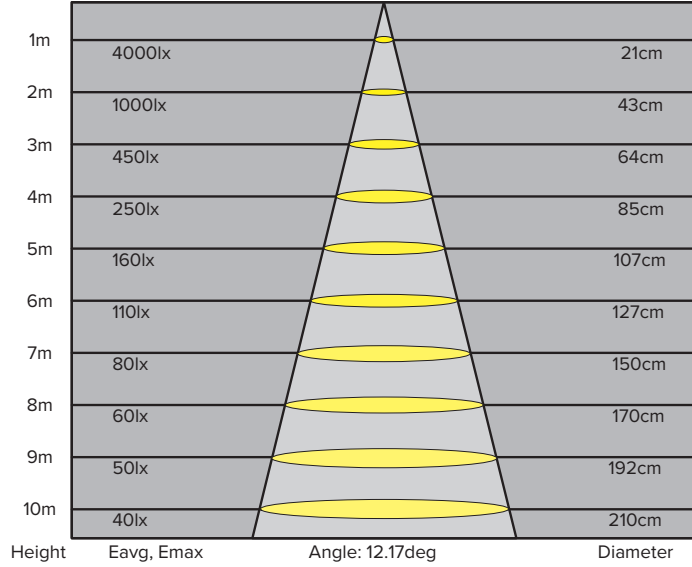
Typical values



# PHOTOMETRICS

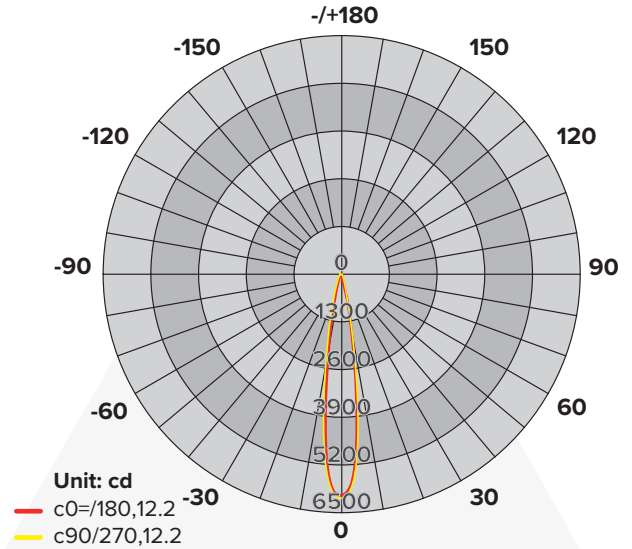
## 2700K

AAI Figure (Lamp Flux 388lm)  
Flux out: 192.6 lm



Note: The Curves indicate the illuminated area and the average illumination when the luminaire is at different distance.

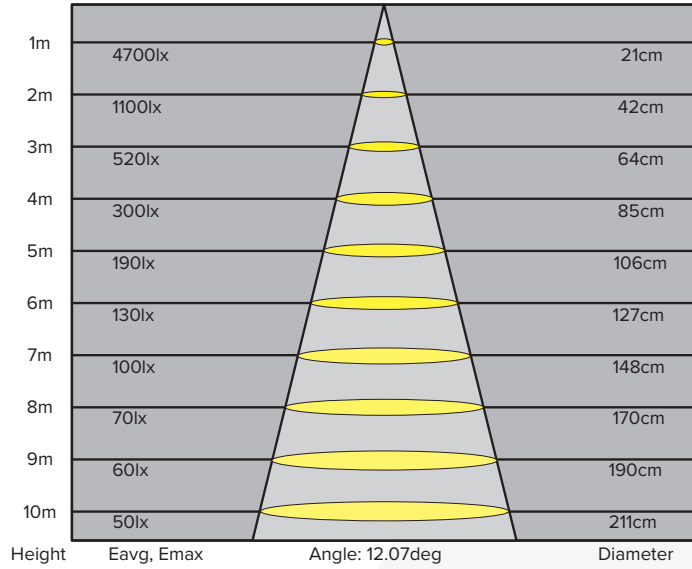
Luminous Intensity Distribution Diagram



Average Beam Angle (50%): 12.2 DEG

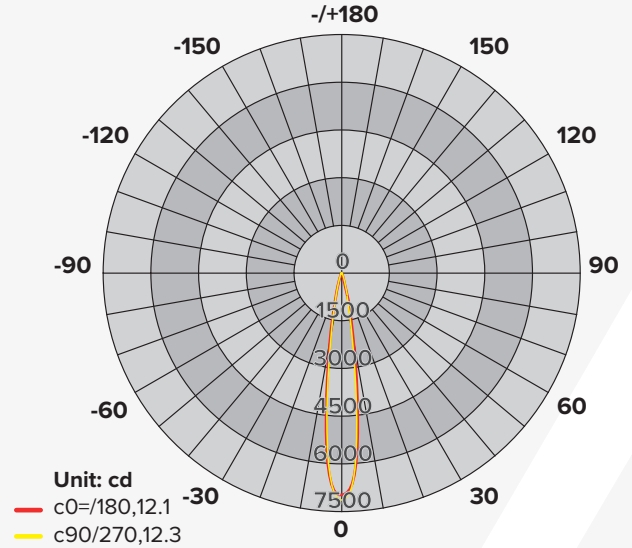
## 3200K

AAI Figure (Lamp Flux 450lm)  
Flux out: 223.3 lm



Note: The Curves indicate the illuminated area and the average illumination when the luminaire is at different distance.

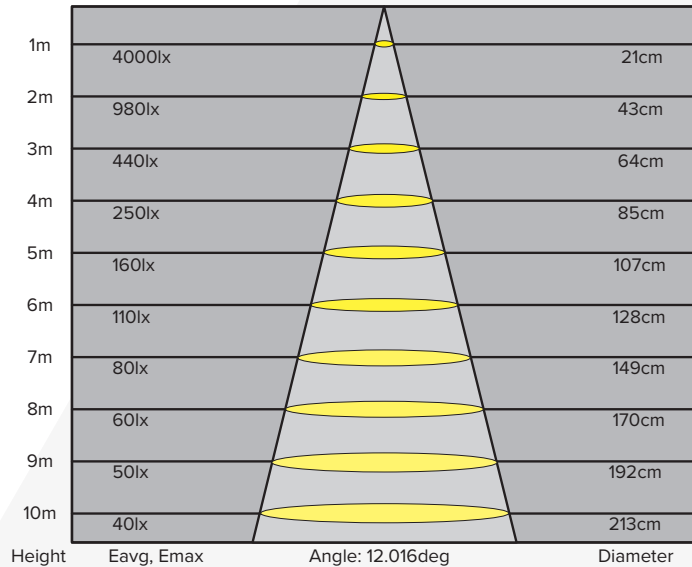
Luminous Intensity Distribution Diagram



Average Beam Angle (50%): 12.2 DEG

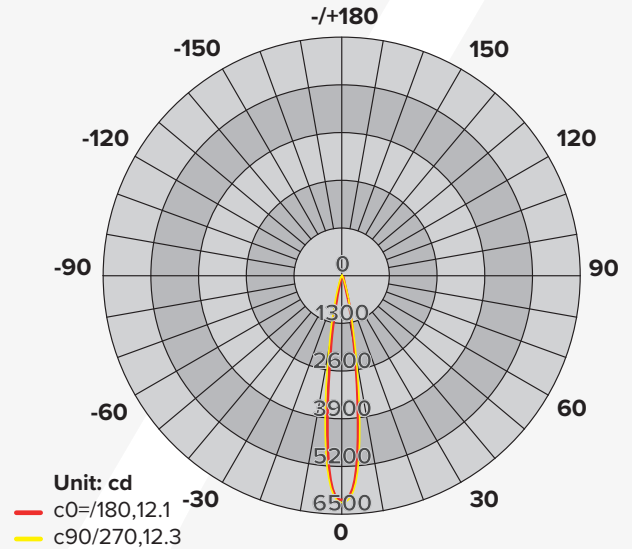
## 5500K

AAI Figure (Lamp Flux: 375lm)  
Flux out: 186.4 lm



Note: The Curves indicate the illuminated area and the average illumination when the luminaire is at different distance.

Luminous Intensity Distribution Diagram



Average Beam Angle (50%): 12.2 DEG