



# Touring VPL 1220-20

Direct View Video Pixel Linear



## Description

Touring VPL 1220-20 is a powerful direct view pixel product designed to reproduce pixel mapping and media effects in temporary environments. With industry leading intensity and wide-angle visibility, it is one of the most dynamic direct view fixtures available. Using touring industry standard power and data connectors, and with a selection of low-profile brackets and accessories, this easily integrated fixture is the perfect fit for concerts, stadiums, sets, and sound stages. Touring VPL is available in 3 different lengths, 5 different lenses, shape-able brackets.

## Features and benefits

- ✓ IP65-rated Video Pixel Linear luminaire
- ✓ Industry standard power and data connectors with no need for external power supplies
- ✓ 1212 millimeter length per luminaire with integrated power supply
- ✓ Auto or individual addressing
- ✓ Quad Full-Color LED Pixel Clusters
- ✓ Long runs on a single circuit
- ✓ 19.05 mm pixel pitch and 120° viewing angle
- ✓ IK08-rated, UV and Corrosion resistant
- ✓ 16-bit control, Real time remote monitoring

## Certifications & classifications

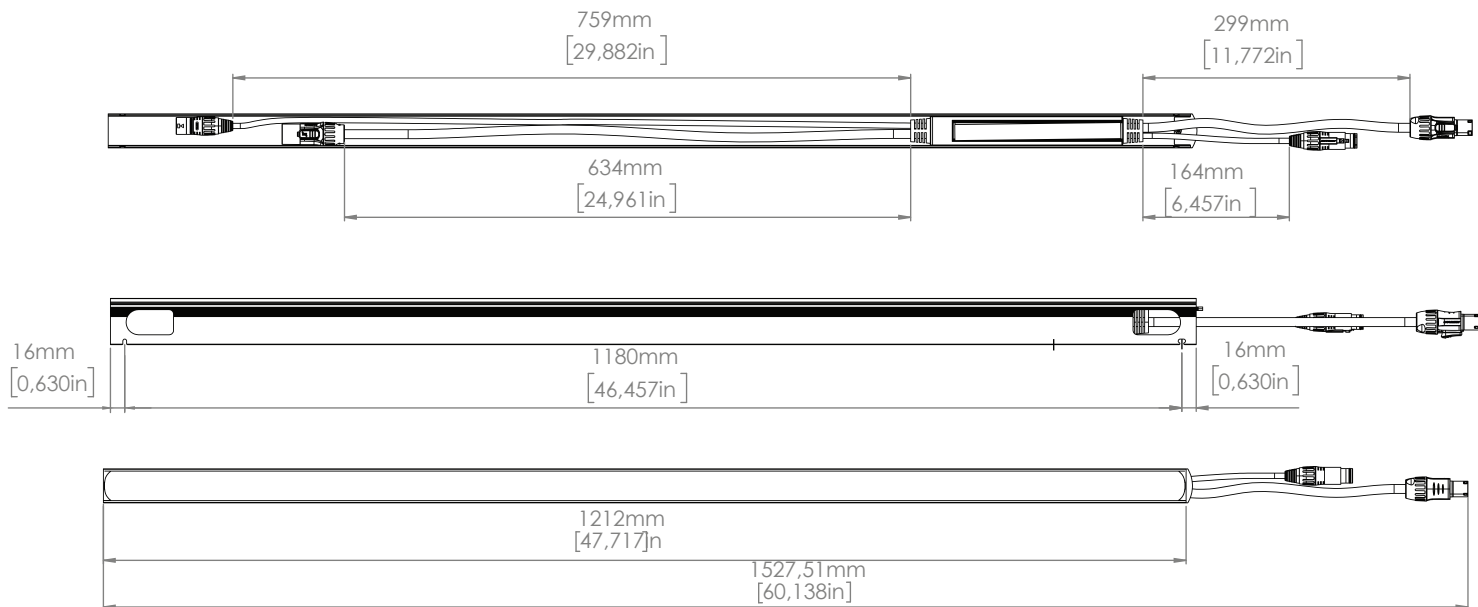
IP65

RoHS

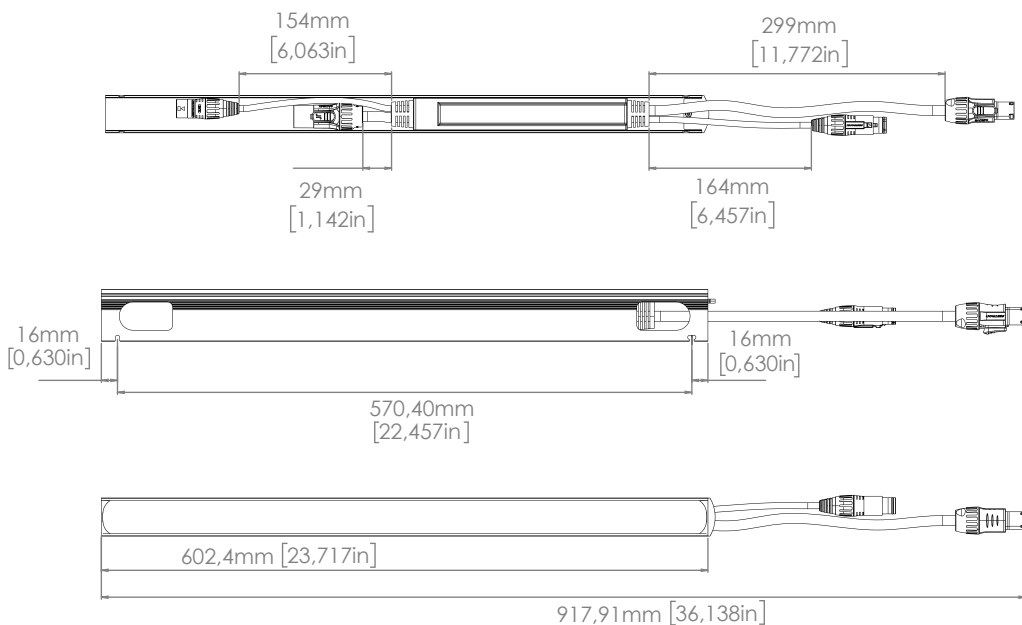
CE



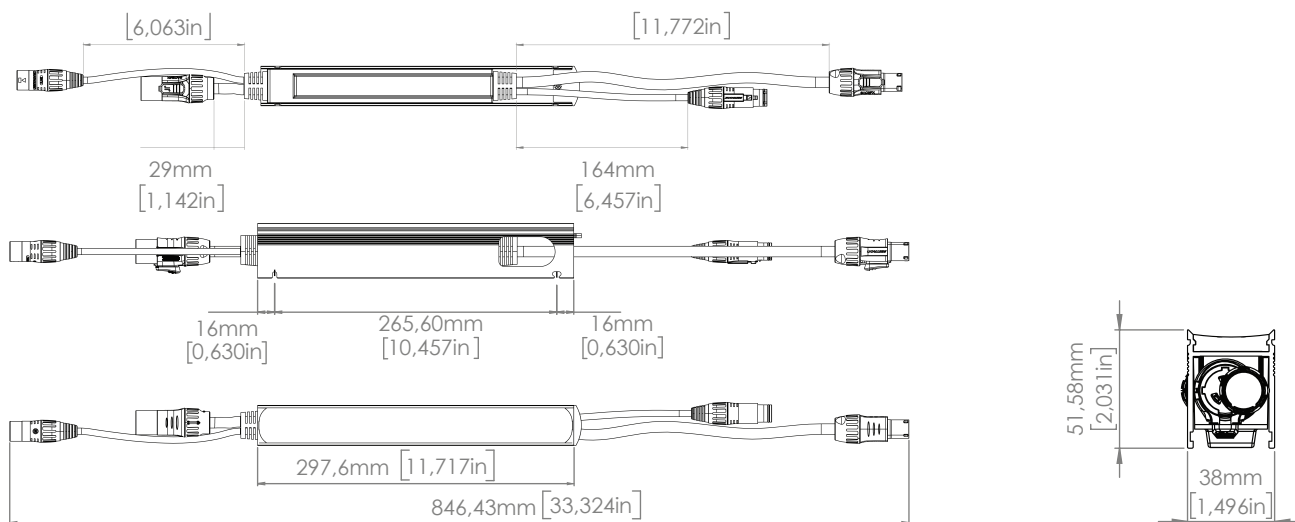
## Touring VPL 1220 20



## Touring VPL 610 20



## Touring VPL 305 20



# Specification

<b>Optical Data</b>	LED expected lifetime	50,000 hours
	Lightsource	256 x high-power RGB LEDs
	Native lens options	110°
	Pixel per meter	52 px/m
	Pixel pitch	19.05 mm
	Pixel size	6 x 6 mm Quad LED Pixel Clusters
<b>Photometric</b>	Efficacy	33 lm/W
	Light output all LEDs on	810 lm
	Luminance	8400 Nits (cd/m <sup>2</sup> )
	Native beam angle(s)	109° (with clear 110° lens)
	Native field angle(s)	151° horizontal, 158° vertical (with 110° clear lens)
<b>Physical</b>	Color options	Black - RAL 9004
	IK rating	IK08
	IP class	IP65
	Material	Aluminium
	Net dimensions inches	47.8 x 2 x 1.5 inches
<b>Features</b>	Addressable pixels	64
	Auto addressing	Yes
	Color calibration	SGM proprietary, full color calibration White calibration for RGB
	Dimming	Smooth fade in, gamma corrected curve
	On-fixture test	Yes
	Other	LED frequency control via SGM Network Admin
	Remote monitoring	Yes (Real Time)
	View angle	120°
<b>Electrical</b>	Electrical protection	Overload protection with automatic recover
	Input voltage, absolute max. rating	185 -264 VAC; 50 / 60 Hz
	Input voltage, nominal	200 - 240 VAC; 50 / 60 Hz
	Max inrush current 230VAC	1.9 A
	Max power consumption	35 W
	Power factor	0.98 PF (230 V)

	Power per meter	29 W/m
	Power Supply Unit	Auto-ranging electronic switch-mode
	Standby power consumption	2.8 W
<b>Programming and Control</b>	16-bit control	Red, Green, Blue
	Data communication	100 Mb
	DMX channels	3, 6, 12, 24, 48, 96, 192 or 384
	DMX modes	8
	Protocol	ArtNet (up to 120 Hz) sACN SGM VP-Net
	Setting and addressing	SGM Network Administrator
<b>Connections</b>	DMX data in/out	Seetronic SE8 Class 2 Series RJ45 XLR Black
	Power	Seetronic X Series SAC3FX & SAC3MX
<b>Installation</b>	Orientation	Any
	Rigging possibilities	Surface-mounted
<b>Thermal</b>	Cooling	Passive
	Thermal protection	Automatic overtemperature protection
	Total heat dissipation, max power	119.4 BTU per hour
	Total heat dissipation, standby	9.6 BTU per hour
<b>Included items</b>	Included items	Safety instructions and installation quick guide
<b>Conforms To</b>	CE - 2014/30/EU: EMC Directive	EN 55015 EN 61547 EN 61000-3-2 EN 61000-3-3 EN 55032 EN 55035
	CE - 2014/35/EU: Low Voltage Directive	EN 60598-1 EN 60598-2-17 EN 62471 EN 60529 EN 62368-1
	RoHS2 Directive	2011/65/EU

## Ordering information

Qty	Product name	Item number
<input type="checkbox"/>	Touring VPL1220-20, BL	80080062
<input type="checkbox"/>		
	<b>Accessories</b>	<b>Item number</b>
<input type="checkbox"/>	VPL Touring bracket	83060633
<input type="checkbox"/>	VPL Rounded Opal lens	83061074
<input type="checkbox"/>	VPL Smoked clear lens	83061079
<input type="checkbox"/>	VPL Opal / Black lens	83061083
<input type="checkbox"/>	VPL Smoked Frosted lens	83061087
<input type="checkbox"/>	VPL Rounded Smoked Opal lens	83061091
<input type="checkbox"/>	Link Plate for Touring VPL Pivot Bracket	
<input type="checkbox"/>	Pivot Bracket for Touring VPL	
<input type="checkbox"/>	Slimline Touring Clamp for Touring VPL	
<input type="checkbox"/>		



Headquarter +45 70 20 74 00

Mail [info@sgmlight.com](mailto:info@sgmlight.com)

Website [sgmlight.com](http://sgmlight.com)